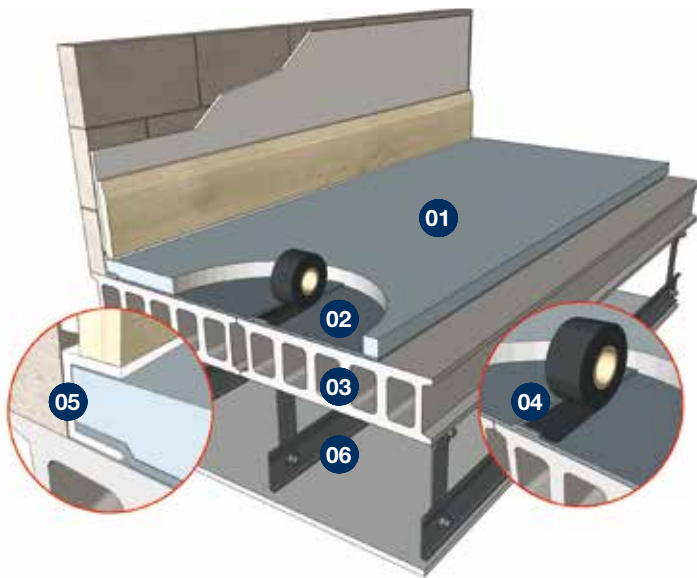


Acoustic Screed Foam Pack

CONCRETE FLOOR UNDER SCREED RESILIENT LAYER



- 01** 65mm sand & cement screed can be laid directly on top of Screed Foam. 40mm proprietary screeds (min 80kg/m²) require a Polythene layer above the Screed Foam covering the whole floor area with overlapped & taped joints
- 02** JCW Acoustic Screed Foam
- 03** 150mm (min) Concrete Floor
- 04** Overlap a minimum of 50mm and tape all joints
- 05** JCW Acoustic Screed Foam perimeter edging strip detail.
- 06** Metal Ceiling System with 150mm (min) void and 1 layer of 8kgs/m² gypsum based board



Big value Acoustic Screed Foam Pack contains:

- 1. JCW Acoustic Flanking Strip**
150mm x 50Lm x 8mm Foam Strip
Roll Weight 0.4kg
- 2. JCW Acoustic Screed Foam**
52 Lm x 1.2m x 10mm (62.4 m² per pack)
Floor coverage 58.8m² appx
- 3. JCW Black Cloth Jointing Tape**
50m x 50mm

Product Code (Pack): 1207

Concrete Floor Types

- Acoustic Screed Foam Pack can be used on pre-cast concrete plank floors that have a minimum mass of 300 kg/m² with a ceiling type illustrated above
- Suitable for underfloor heating
- Screed Foam Pack is economical and easy to install. Pack includes 150mm (h), flanking strip and black cloth jointing tape

PCT & PT Scotland

- Acoustic Screed Foam under screed Impact layer for beneath sand & cement or proprietary screeds
- Verified independent UKAS accredited laboratory test data based on the floor and ceiling structure illustrated above
- It is essential all components are correctly installed and detailed to meet the requirements where Pre-completion Sound Testing is mandatory

Acoustic Performance: Impact Ln,w = 54 dB Airborne DnT,w + Ctr = 49 dB

Method of Compliance

PCT/PT (Scotland)

Domestic Dwellings | Offices | Hotels | Conference Centres | Leisure Centres | Schools | Restaurants | Showrooms

JCW Screed Foam Pack Install Guide

1. The base floor must be swept and cleared of grit, loose stones and any objects that could penetrate the JCW Screed Foam resilient layer.
2. JCW Screed Foam stretches slightly when rolled up. Screed Foam should be unrolled and allowed rest for a few hours before measuring & cutting. Cut the Screed Foam using a sharp knife and a straight edge.
3. JCW Perimeter Flanking/Edging Strip and Black Cloth Jointing Tape; A 50Lm x 150mm x 8mm foam JCW Perimeter Flanking/Edging Strip and 50LM roll x 75mm width Black Cloth Tape is supplied with each JCW Screed Foam pack.
4. Installation; secure the 50LMx150mmx8mm foam flanking strip to the perimeter edges allowing at least 50mm of foam to sit flat onto the base floor. Roll out the first length of Screed Foam along the base floor and over the top of the 50mm base foam flanking strip, Use 50mm wide Black Cloth Jointing Tape to continuously secure all edge joints. All subsequent layers of JCW Screed Foam must be overlapped by 50mm with all joints continuously secured using 50mm wide Black Cloth Jointing Tape.
5. Sand & Cement screeds can now be laid directly on top of the Screed Foam. Screed depths of 65-75mm provides for a 25-35mm excess surface foam that can be later folded down onto the dry screed to isolate the skirting board/s from the screed surface.
6. Proprietary & Anhydrite Screeds a 0.2mm waterproof membrane must be laid over the top of the Screed Foam and up all wall edges at least 50mm above the screed depth. The waterproof membrane must be overlapped by 100mm with all joints taped to prevent movement during the casting process.
7. Screed Foam must be protected from other trades prior to the screed installation.

Disclaimer: The product and installation information contained in this Data Sheet and General Installation Guide is to the best of our knowledge correct. Please contact us direct, prior to starting works, for the latest information to enable confirmation of the specification.

Domestic Dwellings | Offices | Hotels | Conference Centres | Leisure Centres | Schools | Restaurants | Showrooms



Unit 32-34 Waters Meeting Development
Britannia Way, Bolton, BL2 2HH

Sales helpline **01204 548400**
8.30am - 5.00pm Monday to Friday

sales@acoustic-supplies.com
www.acoustic-supplies.com